



Blueair HealthProtect™

User Manual

Blueair HealthProtect™ 7400/7700 Series

Product name:	Model number:	Model number:
10-models	100-127VAC	220-240VAC
7410i	7411371000	7421371000
7710i	7711371000	7721371000
40-models		
7440i	7412371000	7422371000
7740i	7712371000	7722371000
70-models		
7470i	7413352000	7423352000
7475i	7413352000	7423352000
7770i	7713352000	7723352000
7775i	7713352000	7723352000

Hereby, Blueair AB, declares that the radio equipment types in the above table is in compliance with Directive 2014/53/EU.

The full text of the EU declaration of conformity is available at the following internet address:
www.blueair.com/customer-support

Please read this user manual carefully and keep it for future reference.
The latest version of this user manual can be found on www.blueair.com

Note: There may be local variations of these models.

Contents

Blueair HealthProtect™	6
Safety instructions	8
Get started	10
Control panel	11
Filters	20
Move the air purifier	22
Cable winder	22
Care and maintenance	23
Troubleshooting	24
Disposal and recycling	25
Help and support	25
Warranty information	25
Specifications	26

Blueair HealthProtect™

Blueair HealthProtect™ air purifiers are available in three models, the 10-models, the 40-models and the 70-models. All models are Wi-Fi enabled, have a GermShield™ function to prevent bacterial growth, pre-filters and a main filter to purify air.

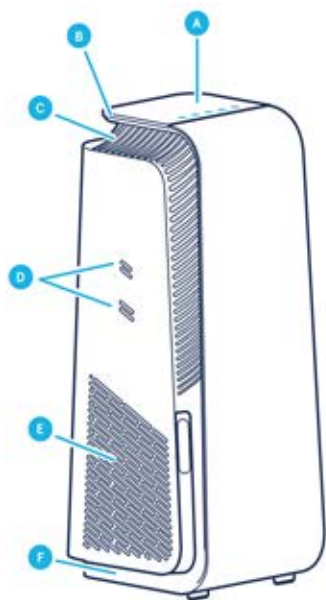
All HealthProtect™ models have control functions and built in sensors. The 40-models and the 70-models have additional indications for air quality data. The 40-models have a display for particulate matter data. The 70-models have a dynamic screen control, with additional functions for particles, gases (tVOC), temperature, relative humidity and filter lifetime.

You can change the air purifier settings at any time, using the control panel on the air purifier or remotely using the Blueair app. Additional functions are available for all models through the Blueair app.

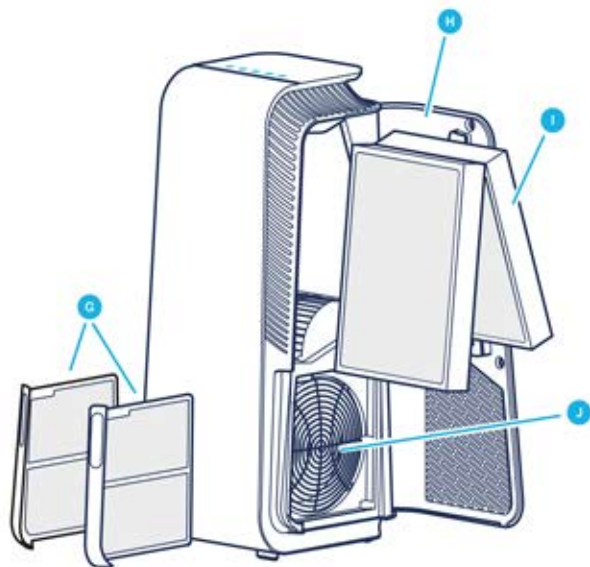
Recommendations for best performance

- Use the air purifier in a room that does not exceed the room size recommendation.
- Place the air purifier in a location where air can circulate freely in, out and around the air purifier.
- Do not place the air purifier closer than 10cm to another object.
- During operation, keep doors and windows in the room with the air purifier closed.
- Run the air purifier 24 hours per day with the GermShield™ function on.
- Only use genuine Blueair filters.
- Change the main filter when the filter replacement indicator appears on the control panel.
- Follow the maintenance instructions in this user manual.

Blueair air purifiers are mainly composed of a motor, a fan and a filter. The air purifier removes contaminants from the air in a room to improve indoor air quality.



- A** Control panel
- B** Handle
- C** Air outlet
- D** Air quality sensor inlets
- E** Air inlet
- F** Feet and wheels



- G** Pre-filters
- H** Filter door
- I** Main filter
- J** Fan and motor
- K** Power cable (not in picture)
- L** User Manual (not in picture)

Safety instructions

Blueair HealthProtect™ air purifiers are electrical appliances for indoor use only, take the necessary precautions to reduce the risk of fire, electric shock or injury.

- This appliance can be used by children aged from 8 years and above and persons with reduced physical, sensory or mental capabilities or lack of experience and knowledge if they have been given supervision or instruction concerning use of the appliance in a safe way and understand the hazards involved.
- Children shall not play with the appliance.
- Always disconnect the appliance from the power supply before maintenance.
- Do not alter the power plug in any way and do not attempt to open or service the appliance yourself. Service must be done by the manufacturer, service agent or similarly qualified person using only genuine Blueair spare parts.
- Ensure that the power cable and the power plug are not at risk of getting damaged. To avoid hazard, a damaged power cable must always be replaced by the manufacturer, service agent or similarly qualified person.
- If the appliance is damaged or malfunctions, turn it off, disconnect it from the power supply and contact Blueair.
- The power plug must be firmly inserted in the power socket.
- When disconnecting the unit from the power supply, do not pull the power cord, pull the power plug.
- Use the grounded power cable provided with your Blueair air purifier to plug directly and firmly into an appropriate, grounded electrical outlet. Refer to the rating label on your appliance.

- Do not use an extension cord or a power strip. Refer to the rating label on your appliance.
- Do not alter the power plug in any way. If the plug does not fit into the outlet, contact qualified personnel to install the proper outlet.
- Do not use the included power cord for anything else but the appliance.
- Do not allow objects to enter or block the air inlets and air outlets as this can cause electric shock or damage the appliance.
- Do not place any objects on top of or directly against the appliance.
- Do not sit on, stand, climb onto or hang from the appliance.
- Keep the appliance, including the power cable, at a safe distance from heated surfaces and open fire.
- Keep the appliance and power plug away from water and other liquids.
- Keep the appliance and power plug away from chemicals such as pesticides and deodorants.
- Place the appliance on the floor. The appliance must be placed on a stable surface.
- Do not use the appliance outdoors or in wet environments such as bathrooms, laundry rooms or pool areas.
- Cleaning and maintenance shall not be made by children without supervision.

Get started

Step 1

Open the filter door, pull out the main filter and remove the protective wrapping.

Step 2

Put the main filter back into the air purifier and close the filter door.

See section Filters for more information regarding filter handling.

Plug into the power supply

Step 1

If your air purifier has a removable power cable, plug the cable firmly into the power cable socket on the air purifier.



Step 2

Plug the power cable into a grounded wall outlet.

Step 3

Press the On/Off button to turn the air purifier on.



Note! For some markets, the air purifier is equipped with a fixed power cable due to regulatory requirements.

Tip! Store any excess cable length in the cable winder under the air purifier.

Connect to the Blueair app

Connecting the air purifier to the Blueair app allows you to control the air purifier and change the settings remotely. The app adds additional functions to the air purifier.

Step 1

Download the Blueair app from the App store or Google play.

Step 2

Open the Blueair app and follow the instructions to connect the air purifier.

Control panel

All HealthProtect™ models have controls, a filter indicator and air quality information. The 40-models and the 70-models have additional indications for air quality data. The 40-models have a display for particulate matter data. The 70-models have a dynamic screen control, with additional functions for particles, gases (TVOC), temperature, relative humidity and filter lifetime.



Controls

Control the air purifier using the buttons on the control panel or by using the Blueair app.



On/Off

Auto

Auto mode



Airflow speed



GermShield™



Wi-Fi

On/Off



Press to turn On or Off.

Note! Wi-Fi, sensors and the GermShield™ function continue to be in operation when the air purifier is turned off.

Auto mode

In auto mode the air purifier automatically controls the airflow based on air quality information from the sensor.

Auto Press to Activate or Deactivate.

Indicators 10-models/40-models



Status White light
On.



Status No light
Off.

Indicators 70-models



Status checkmark
On.



Status cross
Off.

Airflow speed

Available airflow speed options are: 1, 2, 3 and 0.



Press to switch between the different airflow speeds.

Indicators 10-models/40-models

Indicators 70-models



GermShield™

The air purifier has a GermShield™ function that activates when a germ-prone environment is detected. The 70-models have an additional indicator on the screen for showing when the GermShield™ function is in operation.



Press to Activate or Deactivate.

Indicators 10-models/40-models

Indicators 70-models



Status White light
On.



Status checkmark
On.



Status No light
Off.



Status cross
Off.

Note! When GermShield™ is activated, a light draft can come from the air purifier when detecting a germ prone environment.

Wi-Fi Connection

A Wi-Fi function is available on all models and allows the air purifier to connect to the Blueair app and to receive functional updates. If you do not wish to be connected to Wi-Fi, press the Wi-Fi button to disable the Wi-Fi function.

Button



Press for >15s to turn Wi-Fi on or off.

Indicators (10-models and 40-models)



Status White light
Connected to Wi-Fi network.



Status White fast "blinking" light
Failed to connect.



Status White "pulsating" light
Wi-Fi On, ready for onboarding.



Status No light
Wi-Fi functionality Off.

Indicators LCD screen (70-models)



Status Green checkmark
On.



Status Red cross
Off.



Status Red exclamation
Connection error.

Indicators Buttons (70-models)



Status White light
Connected to Wi-Fi network.



Status White "pulsating" light
Wi-Fi On, ready for onboarding.



Status dimmed light
Wi-Fi functionality Off.



Status White fast "blinking" light
Connection error.

See the Blueair app for further information regarding Wi-Fi connection.

For support, visit www.blueair.com/customer-support

Filter indicator

The air purifier calculates the remaining lifetime of the filter based on usage and sensor readings, and indicates when it is time to replace the filter.

Indicators (10-models and 40-models)



Status Filter replacement
No lifetime left of the filter.



Status Filter replacement "blinking"
Cannot recognize a Blueair filter
/No filter detected.

Indicators (70-models)



Status Filter replacement
No lifetime left of the filter.



Status New filter
Filter change completed.



Status Filter warning
Cannot detect a Blueair filter.



Status No filter
No filter detected.

See Troubleshooting for more information on filter indicators.

Category indicators (70-models)

The categories of the different functions are indicated on the top of the screen- press the buttons on the control panel or on the left and right arrow to view the data for the chosen category.



Particle data



Gas data



Temperature



Filter lifetime



Relative humidity

Air quality information

The air quality levels for particulate matter (PM) and gases (tVOC) are indicated using a color scale on the control panel.

PM1 Particulate matter, particles with diameter of size 1 micrometer or less.

PM2.5 Particulate matter, particles with diameter of size 2.5 micrometers or less.

PM10 Particulate matter, particles with diameter of size 10 micrometers or less.

VOC Volatile organic compounds, gases found in both outdoor and indoor air.

Indicators



Particulate matter indicator



Gases (tVOC) indicator

Air quality level

The air quality indicator bar for particles will show the highest pollution level out of PM1, PM2.5 and PM10.

	Very Polluted
	Slightly Polluted
	Moderate
	Good
	Excellent
	Data not available

See the Blueair app for further information regarding air quality.

Air quality data 40-models and 70-models

The 40-models have an additional display that shows measured values for PM1, PM2.5 and PM10. Press the left or right arrow to switch between the different particulate matter sizes.



Indicators



The 70-models have a dynamic screen control that shows additional values and statuses for different categories, and have additional indications to show active functions. Press the left or right arrow to switch between the different categories.



Particle data indicator

The air quality data for particles are indicated on the screen. Press the left or right arrow to switch to the Particle data category page. The screen shows measured values for PM1, PM2.5 and PM10, with its related air quality information indicated in the status bar.

PM1

5

Category PM1
Value of 5 $\mu\text{g}/\text{m}^3$.
Status Excellent air quality.

PM2.5

15

Category PM2.5
Value of 15 $\mu\text{g}/\text{m}^3$.
Status Good air quality.

PM10

55

Category PM10
Value of 55 $\mu\text{g}/\text{m}^3$.
Status Moderate air quality.



Loading data
/No data available.

See the Blueair app for more information.

Temperature indicator

The room temperature is indicated on the screen. Press the left or right arrow to switch to the Temperature category page.

17°C

Category Temperature
Value of 17 degrees Celsius/63 degrees Fahrenheit in the room.

Relative humidity indicator

The relative humidity of the room is indicated on the screen. Press the left or right arrow to switch to the Relative humidity category page.

36%

Category Relative humidity
Value of 36% in the room.

Gas data indicator

The air quality data for gases (tVOC) is indicated on the screen. Press the left or right arrow to switch to the Gas data category page. The screen shows the different sensor readings of gases over time.



Category Gas data

Value of air quality levels for gases (tVOC) in the room over time.
Status Excellent air quality.

Filter lifetime indicator

The remaining lifetime of the filter is indicated on the screen. Press the left or right arrow to switch to the Filter lifetime category page. The air purifier will count down from 100% with a new filter, and indicate when it is time to change filter.



Category Filter lifetime
Value of 90% left of the filter.
Status bar counting down.



Category Filter lifetime
Value of 9% left of the filter.
Status bar counting down.

Filters

The air purifier is delivered with two pre-filters and one SmartFilter installed. The filters purify the air from both particles and gases. For best performance, clean the pre-filters regularly and change the main filter when the air purifier indicates filter change. To find the correct main filter for your air purifier, use the Blueair app or visit www.blueair.com.

The model number of your air purifier can be found on the rating label on the air purifier.

Blueair filter subscription program

Use the Blueair app or visit www.blueair.com to sign up for the Blueair filter subscription program. (Not available in all markets)

Important! Always turn off and disconnect the appliance from the power supply before changing filters, cleaning or carrying out maintenance procedures.

Clean the pre-filters

For best performance, clean the pre-filters regularly.

Step 1

Push the left or right side frame indent of the air purifier to release the pre-filter.



Step 2

Pull out the pre-filter from the slot.



Step 3

Clean the pre-filter, by wiping with a dust cloth or vacuuming with a soft brush attachment.



Step 4

Place the pre-filter back into the slot.



Step 5

Push the pre-filter to lock it in position.



Change the main filter

The air purifier calculates the remaining lifetime of the filter based on usage and sensor readings, and indicates when it is time to change filter. The recommended time for filter change is between 6-12 months depending on the indoor conditions. A filter replacement indicator appears on the control panel when it is time to change filter.



Filter replacement indicator
(10-models and 40-models)



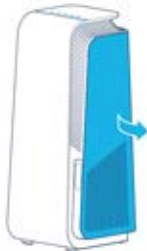
Filter replacement indicator
(70-models)

Important! Use only original Blueair filters suitable for the model to ensure proper function and performance of the air purifier, and to qualify for full warranty coverage.

Step 1

Open the filter door.

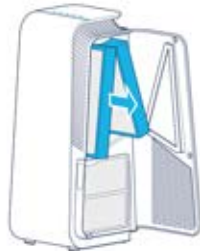
Note! The air purifier will turn off when the filter door is opened.



Step 2

Remove the old main filter by pulling gently on to the two tabs.

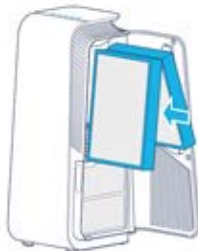
Close the main filter to seal the pollutants inside.



Step 3

Note! Remember to remove the protective plastic from the new main filter before use.

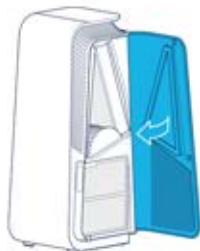
Insert the new main filter.



Step 4

Close the filter door.

Note! The filter door needs to be closed for the air purifier to start again.

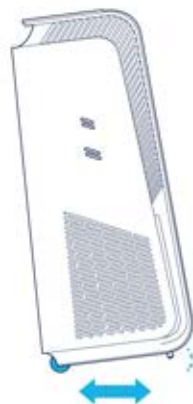


Move the air purifier

The air purifier has feet and wheels to enable moving.

Important!

- Unplug the air purifier before moving it.
- Make sure that the filter door on the air purifier is securely closed.
- Move the air purifier by holding onto the handle at the top of the air purifier with two hands.
- Move the air purifier by tilting it backwards and rolling it on its wheels.



Cable winder

The air purifier has a manual cable winder to store away any excess cable length. The cable winder is at the bottom of the air purifier. Store any excess cable by wrapping it around the cable winder.

Care and maintenance

General

- Disconnect the air purifier from the power supply before maintenance.
- Do not allow foreign objects to enter the air inlets or air outlets. This may cause electric shock or damage the air purifier.
- Never clean with gasoline, chemical solvents or corrosive materials as these agents may damage the air purifier.
- Make sure the air purifier is completely dry before connecting it to power.
- Do not wash the main filter. The main filter is not washable or reusable.

Cleaning

- Clean the pre-filters by wiping with a dust cloth or vacuuming with a soft brush attachment.
- Wipe the exterior of the air purifier with a soft, clean, damp cloth.
- Open the door, clean the inside of the door with a soft, clean cloth.
- Vacuum the small air inlets with a soft brush attachment.
- Vacuum the inside of the air purifier with a soft brush attachment.
- Clean and check the power cable and power plug for wear or damages.
- Clean the sensor when changing the main filter.

Air quality sensor

The inlet for the air quality sensor is located on the side of the air purifier. Vacuum the inlet with a soft brush attachment.



Troubleshooting

Trouble	Possible cause	Action
The air purifier does not work.	The power cable is not connected to the power supply.	Connect the power cable to the power supply.
	The filter door is not closed on the air purifier.	Gently close the filter door completely.
The connection is not working.	The Wi-Fi does not meet the requirements of the device.	Contact Blueair customer service.
	The Blueair app does not have an updated version or have a temporary bug.	Check for updates.
	The Blueair app has user account issues.	Contact Blueair customer service.
The air purifier is indicating that no data is available.	The sensor values are updating.	Wait 30 seconds for update.
		Disconnect the power cable from the wall outlet and wait approximately five seconds before reconnecting the power cable.
The filter indicator is blinking on the control panel and/or the air purifier has reduced airflow speed /or a filter warning is indicated on the screen.	The main filter, or an original Blueair filter, is not detected.	Insert a main filter and/or check it is inserted properly in the air purifier.
		Change to an original Blueair filter.
The buttons on the control panel are blinking when pressed or the display indicates Child lock (not on all models).	The Child lock function is activated.	Turn off Child lock in the Blueair app.
The air purifier have lost Wi-Fi connection and Child lock is activated in the app.	-	Disconnect the power cable from the wall outlet and wait approximately five seconds before reconnecting the power cable.

For further support, please visit www.blueair.com/customer-support

Disposal and recycling

This air purifier should be disposed or recycled as electrical waste and the filter may be recycled as plastic. If you have questions regarding the disposal and recycling of this air purifier, please contact your local recycling facility for availability or Blueair dealer and ask for the correct method of recycling.



The crossed-out waste bin symbol on the appliance or on its packaging means that at the end of its useful lifespan, the product must be disposed of separately from ordinary household wastes.

Help and support

If you have questions about your product, please visit www.blueair.com or contact your local Blueair retailer.

To contact Blueair for personalized support, please visit www.blueair.com/customer-support

Warranty information

The Blueair Limited Warranty applies only if the air purifier is installed, used and maintained according to the instructions in this manual.

For warranty conditions visit www.blueair.com/warranty

Warranty and returns

If you purchased the air purifier at one of our authorized retailers, please contact the same store to request assistance.

Specifications

	7400-series	7700-series
Input voltage, Frequency	100-127VAC/220-240VAC, 50/60Hz	100-127VAC/220-240VAC, 50/60Hz
Power consumption ¹	43W	72W
Operating frequency	2402-2480 MHz, 13.56 MHz	2402-2480 MHz, 13.56 MHz
Output power	Max 5mW	Max 5mW
Sound level (min-max) ²	25dB(A)-45dB(A)	27dB(A)-55dB(A)
Recommended room size ³	38 m ²	62 m ²
CADR Smoke ³	455 m ³ /h	735 m ³ /h
CADR Dust ³	465 m ³ /h	>675 m ³ /h
CADR Pollen ³	475 m ³ /h	735 m ³ /h

¹ According to IEC 60335-1:2010

² Sound pressure according to GB4214.1-2017

³ According to ANSI/AHAM AC-1-2019



LOVEAIR

Manuál stažený ze stránek LoveAir.cz